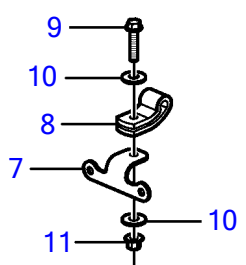
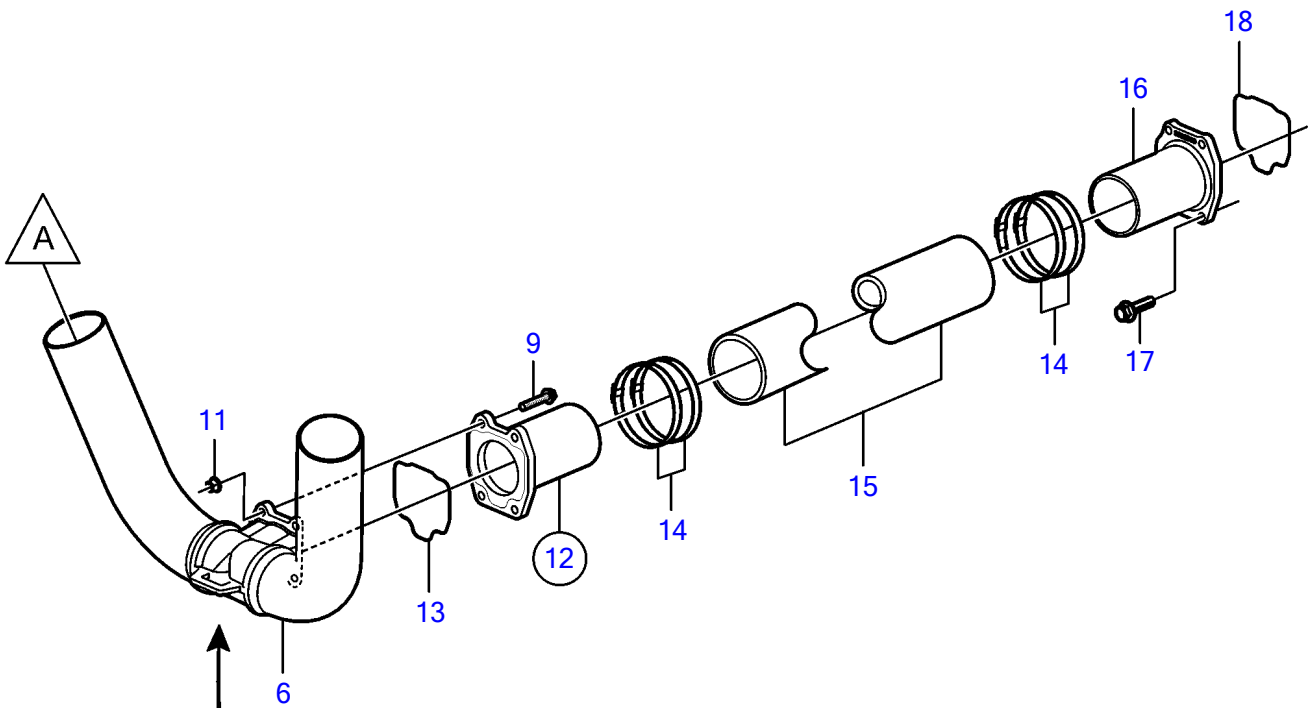
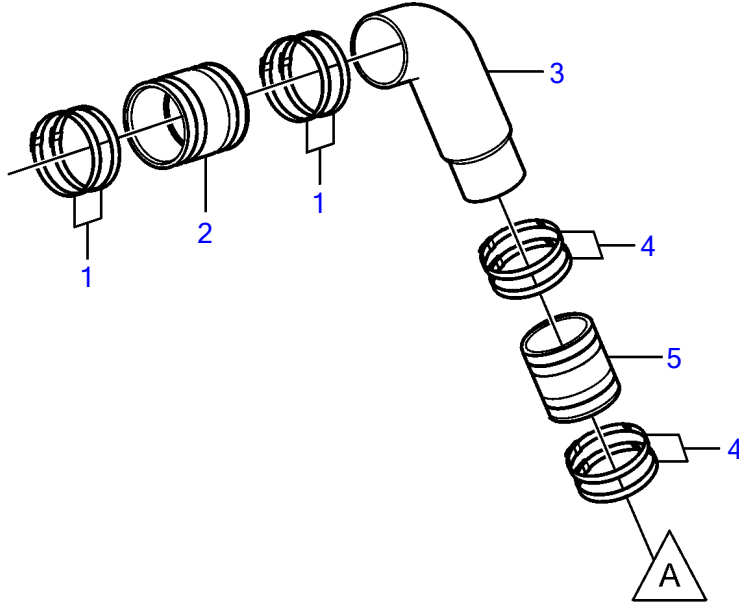


XHP-B, XHP-BLT



XHP-B, XHP-BLT

REF	PART NO.	QTY	DESCRIPTION	SEE SEC.	NOTES
1	3863443	8	Hose clamp		
2	3852696	1	Hose		
3	3863189	2	Elbow		
4	3863442	8	Hose clamp		
5	3852742	2	Hose		
6	(3860821)	1	Exhaust pipe		Obsolete part
7	(3862519)	1	Bracket		Obsolete part
8	(3862518)	1	Strap		Obsolete part
9	965220	5	Flange screw		
10	944633	2	Washer		
11	971098	5	Flange lock nut		
12	3862895	1	Tube		
13	3587651	1	• Kit		
			• Bulletin P-25-2-2	P-25-2-2-EN	Y-pipe seal, gas engines
14	853012	4	Hose clamp		
15	3862564	1	Hose, exhaust		Cut to length
16	3862506	1	Exhaust pipe flange		
17	3841928	4	Flange screw		3/8" UNC
	946752	4	Flange screw		M10
18	3587651	1	Kit		
			• Bulletin P-25-2-2	P-25-2-2-EN	Y-pipe seal, gas engines